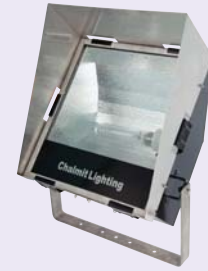
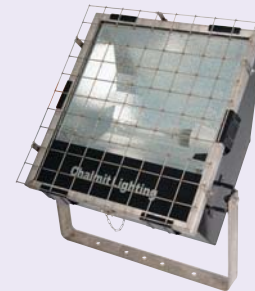


Recommended maximum aiming angle 20° from horizontal plane

The 800 series is a range of stainless steel asymmetrical floodlights. These floods are designed for optimum light output and efficiency to ensure the minimum number of luminaires is required.



The 854 with anti-glare shield



The 854 with wire guard

Standard Specification

Features

Type of Protection	Ex nR (Restricted Breathing)
ATEX Classification	Group II Category 3 GD
Area Classification	Zone 2 areas to EN 60079-10-1 and EN 60079-10-2 with installation to EN 60079-14
Certificate	Type Examination Certificate BAS98ATEX3378
Coding	⊕ II 3 GD Ex nR II Refer to table overleaf for T rating and Ambient
Enclosure	Marine grade 316S31 stainless steel body with toughened glass window, silicone rubber gasket
Reflector	Wide beam high purity anodised aluminium
Entry	2 x M20 cable entries
Termination	3 core 6mm ² max. conductor with looping
Installation	Stirrup mounting
Windage	0.052m ² (844), 0.090m ² (854), 0.107m ² (864)
Control Gear	Internal copper and iron ballast with ignitor and PFC correction capacitors
Relamping	Access via front glass cover assembly secured by quick release stainless steel clips
Burning Position	Control gear must be level or below lamp position
Ingress Protection	IP66/67 to EN 60529
Electrical Supply	220, 230, 240, 254V 50Hz

Photometrically superior asymmetric reflector
Marine grade stainless steel body and toughened glass cover
Quick release fasteners for ease of relamping and maintenance
Suspended cover front
Suitable for low temperature applications (-40°C)
Standard control gear for use with IEC lamps

International Approvals

ATEX, GB (China), GOST and CEPEL

Std. Cat No.	Wattage	Lamp	Lampholder	T Class	Ambient °C	Weight
844N/070/MS	70W	HPS/Metal Halide	E27	150°C T3 T4	-40 to +50 -40 to +40	12.0kg
854N/100/HS	100W	HPS	E40	T4	-40 to +55	18.0kg
854N/150/HS	150W	HPS	E40	T3 T4	-25 to +55 -40 to +50	18.0kg
854N/250/MS	250W	HPS/Metal Halide	E40	T4	-25 to +40	19.0kg
854N/400/MS*	400W	HPS/Metal Halide	E40	T3	-25 to +40	17.0kg
854N/500/TH	500W	Single Ended T/Halogen	E40	T3 T2	-45 to +45 -45 to +60	16.5kg
864N/250/MS	250W	HPS/Metal Halide	E40	T3	-25 to +55	20.5kg
864N/400/MS	400W	HPS/Metal Halide	E40	T3	-40 to +50 (HPS) -25 to +40 (MH)	21.0kg

100/120V Cat Nos. The following models are for 120V, 50Hz as standard:

864N/150/HS**	150W	HPS	E40	T3	-40 to +55	23.0kg
864N/250/HS/120**	250W	HPS	E40	T3	-40 to +55	23.0kg
864N/400/HS/120***	400W	HPS	E40	T3	-40 to +55	23.0kg

* Ignitor only fitted within floodlight. Remote gear box required (see Universal Box).

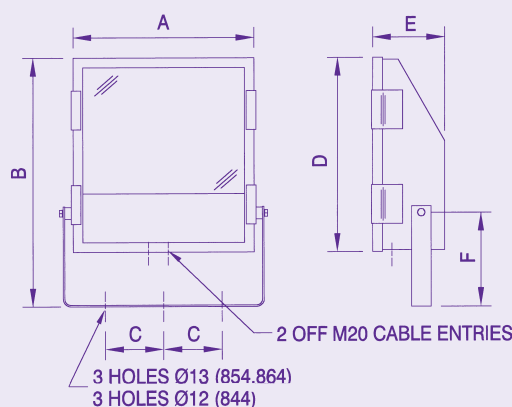
** c/w IEC control gear 110/120V supply.

*** Supplied with remote transformer box for 110/120V supply. (Control gear fitted for IEC lamps).

All control gear fitted for use with European lamps (IEC).

Options – Suffix to Catalogue No.

/60	60Hz
/M25	M25 cable entries
/N	Narrow beam reflector
/TI	Timed cut out ignitor
/WA	Suitable for wire guard or anti-glare shield
/TAP/CSA	Quad tapped ballast (120, 208, 240, 277V) (Internal control gear for NEC lamps only CSA certificate - non ATEX)



	A	B	C	D	E	F
844	308	443	75	348	150	175
854	415	630	150	490	185	260
864	456	640	150	490	219	260

Accessories Should be ordered separately

Catalogue Order Code

Pole mounting bracket assembly - 844 (50-100mm diameter poles)	S8444-0002
Pole mounting bracket assembly - 854/864 (48-70mm diameter poles)	S2400-0002
Spigot top mounting bracket assembly - 854/864 (70-82mm diameter poles)	S2400-0007
Wire guard - 844 (requires "WA" suffix when ordering)	S8444-0005
Wire guard - 854 (requires "WA" suffix when ordering)	S8544-0004
Wire guard - 864 (requires "WA" suffix when ordering)	S8644-0004
Anti-glare shield - 844 (requires "WA" suffix when ordering)	S8444-0001
Anti-glare shield - 854 (requires "WA" suffix when ordering)	S8544-0002
Anti-glare shield - 864 (requires "WA" suffix when ordering)	S8644-0002