



NexLED with Exit Sign kit



NexLED with green LED's

The NexLED bulkhead utilises the latest LED technology to provide instant illumination. The NexLED requires no re-lamping making it virtually maintenance free and unaffected by low temperatures. This combination makes the NexLED ideal for extreme environmental applications.

Coloured LED options are also available.

Standard Specification

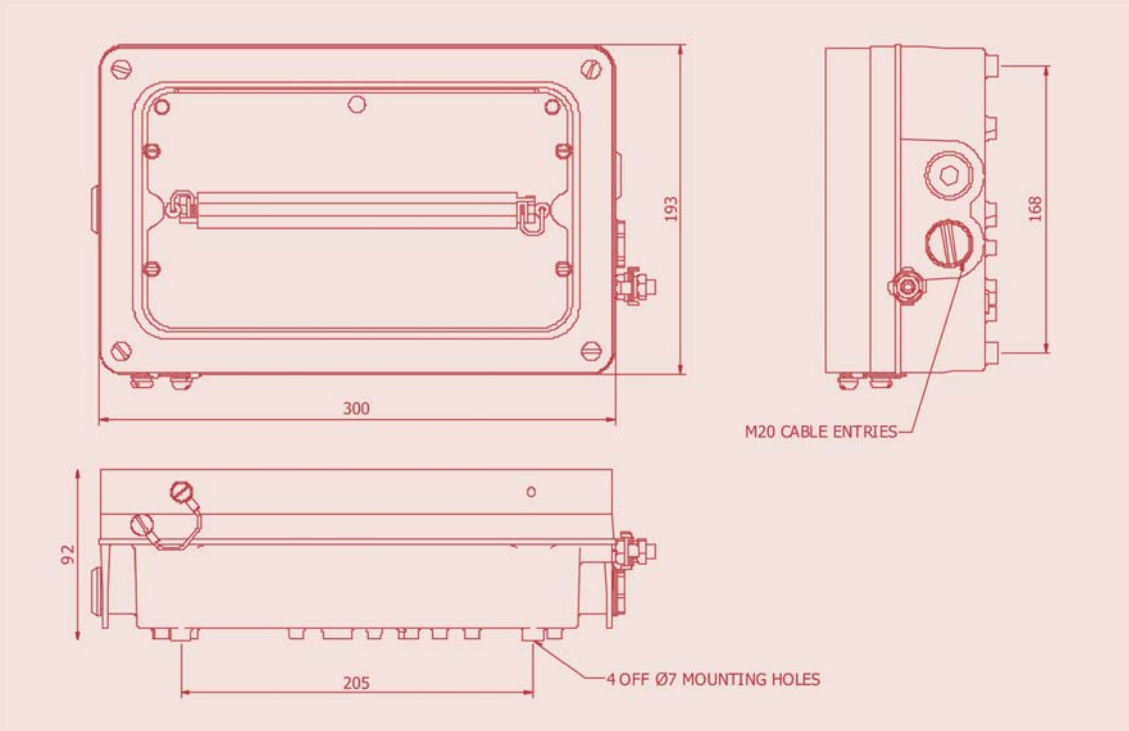
Features

Enclosure	Cast aluminium with toughened glass and silicone gasket	Highly visible, instant light
Reflector	Brushed aluminium	Easy to install and maintain
Entry	3 x M20 cable entries	Ultra long life, no relamping required
Termination	4 core 4mm ² max conductor with looping	Very low power consumption
Installation	Surface mounted, 4 mounting holes located outside of seal	100% output in emergency mode (Up to 3 hours)
Lamp Type	2 x 1W light emitting diodes or 8 x 1W light emitting diodes. Colour: white	Rechargeable Ni-mH batteries with charging indication
Control Gear	Electronic	Compatible with UPS systems
Burning Position	Universal	
Ingress Protection	IP66/67 to EN 60529	
Emergency Duration	3 hours (emergency models)	
Electrical Supply	220-240V ac/dc	

Std. Cat No.	Wattage	Lamp Type	Ambient °C	Weight
NELI/201/LE	2W	Light Emitting Diode	-20 to 45	3.5kg
NELI/801/LE	8W	Light Emitting Diode	-20 to 45	3.5kg
NELI/201/LE/EM	2W	Light Emitting Diode	-20 to 45	3.5kg
NELI/801/LE/EM	8W	Light Emitting Diode	-20 to 45	3.5kg

Options – Suffix to Catalogue No.

/RDE	Red LED's	/ADE	Amber LED's
/GDE	Green LED's	/LT	Low temperature -45°C to +45°C
/BDE	Blue LED's		



Accessories should be ordered separately

Catalogue Order Code

Green exit sign kit (4 labels - up, down, left and right)

SNEL1-0008