



The NexLED bulkhead utilises the latest LED technology to provide instant illumination. The NexLED requires no re-lamping making it virtually maintenance free and unaffected by low temperatures. This combination makes the NexLED ideal for extreme environmental applications.

Coloured LED options are also available.



NexLED with Exit Sign kit



NexLED with green LED's

### Standard Specification

### Features

Type of Protection	Ex e mb (Increased Safety and Encapsulation)
ATEX Classification	Group II Category 2 GD
Area Classification	Zone 1 and Zone 21 area to EN 60079-10-1 and EN 60079-10-2 with installation to EN 60079-14
Certificate	EC Type Examination Certificate Baseefa04ATEX0245 IEC Ex BAS09.0062
Coding	⊕ II 2 GD Ex e mb IIC Refer to table for T rating and Ambient
Enclosure	Aluminium alloy LM6 to BS 1490 (AC44100) with toughened glass and silicone gasket
Reflector	Brushed aluminium
Entry	2 x M20 cable entries
Termination	3 core 4mm <sup>2</sup> max conductor with looping
Installation	Surface mounted, 4 mounting holes located outside of seal
Light Source	1W light emitting diodes. Colour: white
Control Gear	Electronic
Burning Position	Universal
Ingress Protection	IP66/67 to EN 60529
Electrical Supply	110-254V AC (50/60Hz)/DC

Installation to gas groups IIA, IIB and IIC
Highly visible, instant light
Easy to install and maintain
Ultra long life, no relamping required
Very low power consumption

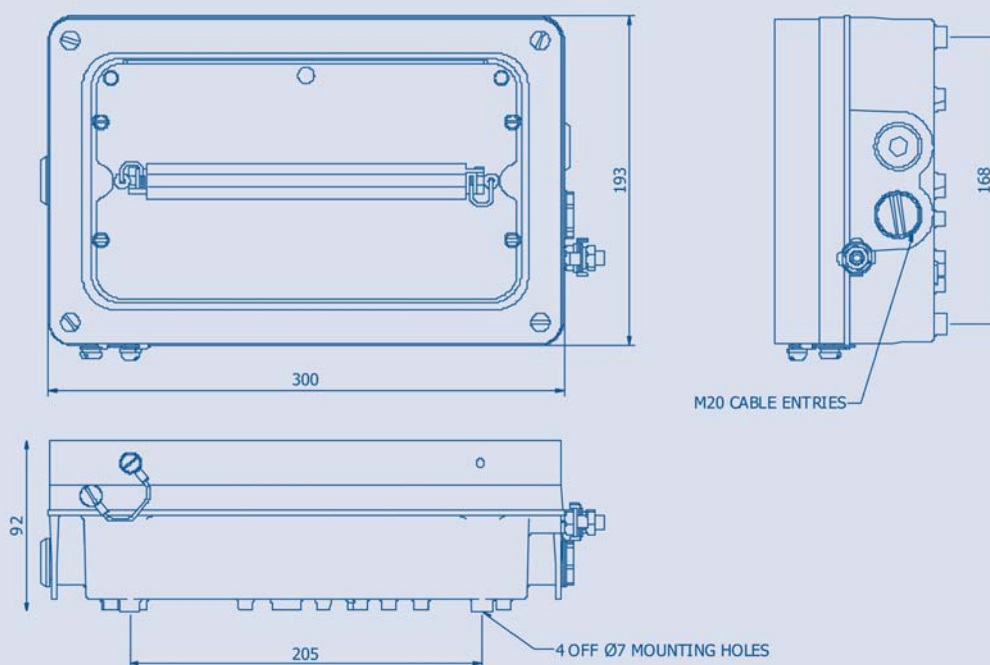
### International Approvals

ATEX and GOST  
IECEx Compliant

Std. Cat No.	Wattage	Light Source	TClass	T°C (Dust)	Ambient °C	Weight
NELE/201/LE	2W	Light Emitting Diode	T4	100	-45 to +55	4.0kg
NELE/801/LE	8W	Light Emitting Diode	T4	100	-45 to +55	4.1kg

## Options – Suffix to Catalogue No.

/RDE	Red LED's	/ADE	Amber LED's
/GDE	Green LED's	/IEC	Supplied with IECEx certification label
/BDE	Blue LED's		



Accessories Should be ordered separately

Catalogue Order Code

Exit sign kit (supplied with - up, down, left and right labels\*)

SNEL1-0008

\* Other signage options available upon request, please contact technical sales (techsupport@chalmit.com)