



NexLED with Exit Sign kit



NexLED with green LED's

The NexLED emergency provides emergency battery backup to ensure continued operation in the event of a power outage. The emergency version benefits from the same features as the standard NexLED and is available as a special low temperature version for operation down to -45°C.

Coloured LED options are also available.

### Standard Specification

### Features

Type of Protection	Ex e ib mb (Increased Safety, Intrinsically Safe Encapsulated) Dust protected enclosure
ATEX Classification	Group II Category 2 GD
Area Classification	Zone 1 and Zone 21 areas to EN 60079-10-1 and EN 60079-10-2 with installation to EN 60079-14
Certificate	EC Type Examination Certificate Baseefa04ATEX0245 IEC Ex BAS09.0062
Coding	Ⓔ II 2 GD Ex e ib mb IIC T4
Enclosure	Aluminium alloy LM6 to BS 1490 (AC44100) with toughened glass and silicone gasket
Reflector	Brushed aluminium
Entry	2 x M20 cable entries
Termination	4 core 4mm <sup>2</sup> max conductor with looping
Installation	Surface mounted, 4 mounting holes located outside of seal
Light Source	1W light emitting diodes. Colour: white
Control Gear	Electronic
Burning Position	Universal
Ingress Protection	IP66/67 to EN 60529
Battery	Ni-Cd (6V)
Emergency Duration	8W version - 90 minutes 2W version - 3 hours
Electrical Supply	110-254V AC/DC

Installation to gas groups IIA, IIB and IIC
Highly visible, instant light
Easy to install and maintain
Ultra long life, no relamping required
Very low power consumption
100% output in emergency mode (Up to 3 hours)
Rechargeable Ni-Cd batteries with charging indication
Compatible with UPS systems

### International Approvals

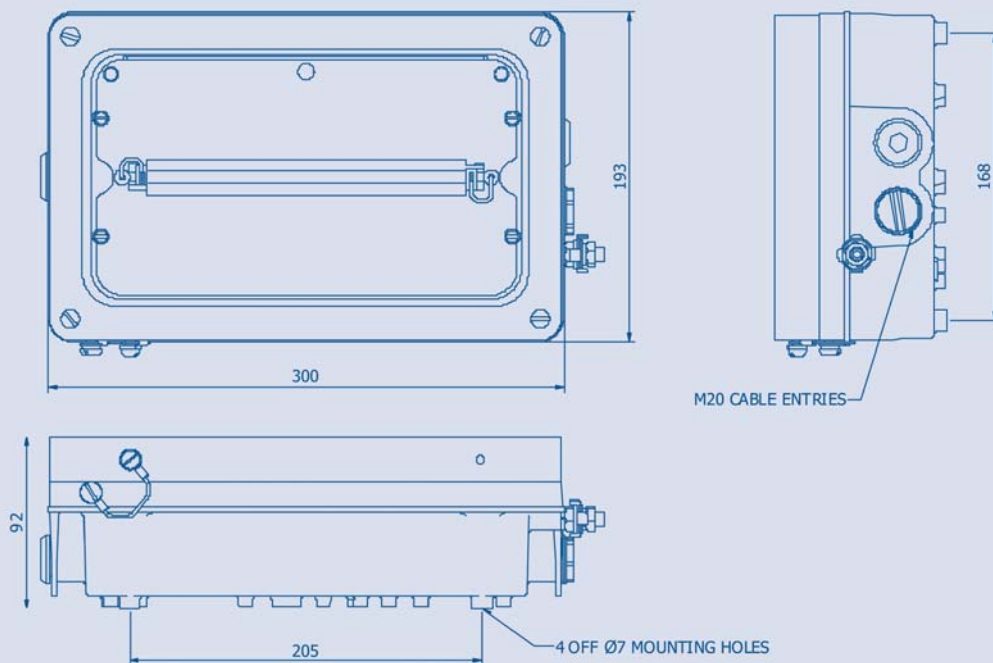
ATEX and GOST

IECEx Compliant

Std. Cat No.	Wattage	Light Source	TClass	T°C (Dust)	Ambient °C	Weight
NELE/201/LE/EM	2W	Light Emitting Diode	T4	100	-20 to +55	4.0kg
NELE/801/LE/EM	8W	Light Emitting Diode	T4	100	-20 to +55	4.1kg

### Options – Suffix to Catalogue No.

/RDE	Red LED's	/ADE	Amber LED's
/GDE	Green LED's	/LT	Low temperature -45°C to +55°C
/BDE	Blue LED's	/IEC	Supplied with IECEx certification label



Accessories Should be ordered separately

Catalogue Order Code

Exit sign kit (supplied with - up, down, left and right labels\*)

**SNEL1-0008**

\* Other signage options available upon request, please contact technical sales (techsupport@chalmit.com)