



The Protecta is also available in a stainless steel body version. This incorporates the same design and monitoring features found in the GRP body Protecta. The increased durability of its stainless steel construction makes this luminaire ideal for applications where there is a high risk of mechanical damage or exposure to chemical agents.

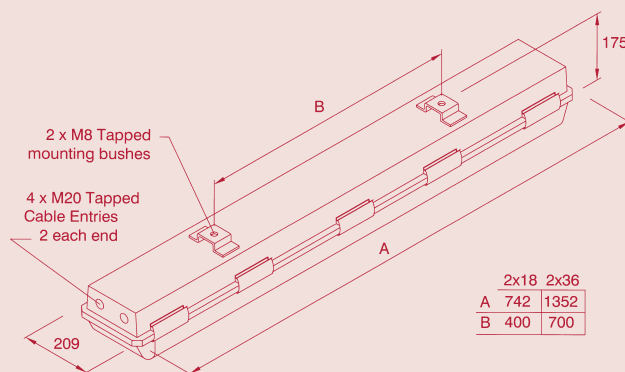
Standard Specification		Features
Ingress Protection	IP66/67 to EN60529	Simple rugged construction
Enclosure	Marine grade 316S31 stainless steel body with clear polycarbonate diffuser	Hinged cover with easily removeable cover clamps
Entries	4 x M20 cable entries (2 each end)	Standard fixing centres
Termination	Quick release mains terminals - 3 core 4mm ² max. conductor with looping and 16A rating through wiring. (6mm ² terminations available - /SC option)	High frequency control gear gives 50/60Hz operation, high power factor correction and regulation of lamp output
Installation	Two M8 tapped stainless steel inserts located on rear of body	Quick release mains terminals
Reflector/Gear-tray	White polyester painted zinc coated steel	Resistance to voltage fluctuations
Control Gear	High frequency electronic control gear	Optional battery monitoring and self-testing control gear
Relamping	Via quick-release diffuser clamp and hinged diffuser	A non-emergency copper and iron version is also available. To order substitute /HF with /ES and specify the voltage
Electrical Supply	110-254V 50/60Hz Emergency version 220/254V 50/60Hz	
Battery	Ni-Cd (6V)	
Duration	3 Hours	
Emergency Output	32% of one lamp (18W) 14% of one lamp (36W)	

Std. Cat No.	Wattage	Lamp	TClass	Lampholder	Weight
PRSI/118/BI/HF	1x18W	Fluorescent	T8	G13	5.9kg
PRSI/218/BI/HF	2x18W	Fluorescent	T8	G13	6.2kg
PRSI/136/BI/HF	1x36W	Fluorescent	T8	G13	9.6kg
PRSI/236/BI/HF	2x36W	Fluorescent	T8	G13	10.0kg
PRSI/118/BI/EM	1x18W	Fluorescent	T8	G13	8.7kg
PRSI/218/BI/EM	2x18W	Fluorescent	T8	G13	9.0kg
PRSI/136/BI/EM	1x36W	Fluorescent	T8	G13	12.4kg
PRSI/236/BI/EM	2x36W	Fluorescent	T8	G13	12.8kg

Options – Suffix to Catalogue No.

/120	110-130V High frequency ballast (for /EM Emergency models only)	/M25	M25 cable entries
/ES	Electronic start (copper/iron ballast only)	/SC	Screwed connection terminal block (up to 6mm ² conductors)
/---	Specific voltage (120*, 220, 230 & 254V only available copper/iron gear)	/MF	Mains fuse
/60	60Hz supply (copper/iron ballasts only)	/3P	3 phase termination facility
/EL	Extra live termination (Compatible with four core switched emergency models)	/LBE	Looping both ends
		/BMT	Battery monitoring and self-test

* 120V copper/iron gear - non emergency only



Accessories Should be ordered separately

Catalogue Order Code

Pole mounting bracket assembly (38-42mm diameter poles)	SPOL4-100001
Pole mounting bracket assembly (48-52mm diameter poles)	SPOL4-100002
Pole mounting bracket assembly (58-62mm diameter poles)	SPOL4-100003
Hook type ceiling bracket assembly	SPRO4-0005
Ceiling bracket assembly	SPRO4-0002
Flush mounting wall bracket assembly	SPRO4-0006
Eyebolt mounting assembly	SPRO5-0005
Looping Kit (allows looping from both ends of luminaire)	SPROT-0021
18W wall mounting outreach bracket (use with SPOL4-100001)	NPRO4-0008
36W wall mounting outreach bracket (use with SPOL4-100001)	NPRO4-0012

Product design and specifications are subject to change without notice, please check the Chalmit website for latest specifications.