



The Protecta n utilises the proven strength and integrity as the Protecta III but is certified for use in Zone 2, Zone 21 and Zone 22 hazardous areas. The luminaire is recommended for use in areas where high levels of ingress protection is required

Standard Specification

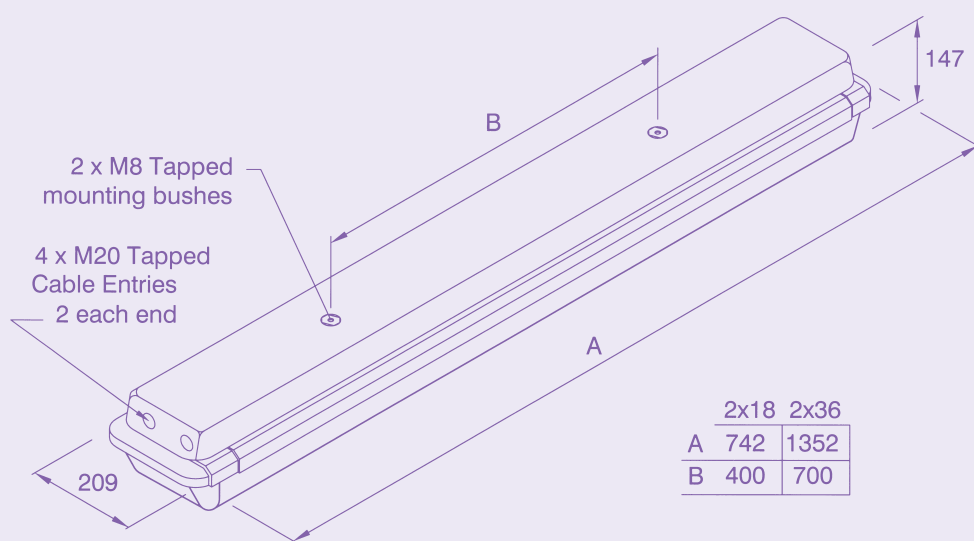
Features

Type of Protection	Ex nA (Non-sparking)	Easy access to suspended control gear tray
ATEX Classification	Group II Category 3 GD	
Area Classification	Zone 2 and Zone 22 areas to EN 60079-10-1 and EN 60079-10-2 with installation to EN 60079-14	High frequency control gear gives 50/60Hz operation, high power factor correction and regulation of lamp output
Certificate	Type Examination Certificate Baseefa08ATEX0227 IEC Certificate IECExBAS 08.0075	dc operation (non-emergency only)
Coding	⊕ II 3 GD Ex nA Refer to table for T rating and Ambient	Vibration tested to comply with Lloyds/ DNV
Enclosure	GRP body with polycarbonate cover and brass suspension points	DTS-01 deluge tested
Reflector	White polyester painted zinc coated steel	End of life (EOL) protection to IEC 60079-7 (with EOL I and EOL II functionality)
Entry Termination	4 x M20 cable entries, 2 at each end 3 core 4mm ² max. conductor with looping and through wiring 16A rating. 4 core 4mm ² connectors on emergency). (6mm ² terminations available - /SC option)	Suitable for Zone 21 (Dust) areas Type Examination Certificate Baseefa08ATEX0228 Coding ⊕ II 2D Ex tD A21 T85°C
Installation	Two M8 tapped brass inserts located on rear of body.	International Approvals
Control Gear	High Frequency electronic ballast Emergency - electronic/inverter	
Relamping	Quick release diffuser clamp and hinged cover	
Burning Position	Universal	
Ingress Protection	IP66/67 to EN 60529	
Electrical Supply	220-254V 50/60Hz	
Battery	Ni-Cd 6V (Emergency version only)	
Duration	3 hours (Emergency version only)	
Emergency Output	18W 32% of one lamp 36W 14% of one lamp	
		IECEx Compliant

Std. Cat No.	Wattage	TClass(Gas)	T°C (Dust)	Ambient °C	Weight
PR2N/218/BI	2x18W	T4	85	-20 to +50	6.2kg
PR2N/136/BI	1x36W	T4	85	-20 to +50	9.6kg
PR2N/236/BI	2x36W	T4	85	-20 to +50	10.0kg
PR2N/218/BI/EM	2x18W	T4	85	-20 to +50	9.1kg
PR2N/136/BI/EM	1x36W	T4	85	-20 to +50	12.2kg
PR2N/236/BI/EM	2x36W	T4	85	-20 to +50	12.6kg

Options – Suffix to Catalogue No.

/120	Specific voltage (110V-130V)	/3P	Three phase termination
/SC	Screwed connection terminal block (up to 6mm ² conductors)	/MF	Mains fuse
/M25	M25 cable entries	/IS	Isolation switch
		/SE	Spigot entry



Accessories Should be ordered separately

Catalogue Order Code

Pole mounting bracket assembly (38-42mm diameter poles)	SPOL4-100001
Pole mounting bracket assembly (48-52mm diameter poles)	SPOL4-100002
Pole mounting bracket assembly (58-62mm diameter poles)	SPOL4-100003
Hook type ceiling bracket assembly	SPRO4-0005
Ceiling bracket assembly	SPRO4-0002
Flush mounting wall bracket assembly	SPRO4-0006
Eyebolt mounting assembly	SPRO5-0005
Looping Kit (allows looping from both ends of luminaire)	SPROT-0021
18W wall mounting outreach bracket (use with SPOL4-100001)	NPRO4-0008
36W wall mounting outreach bracket (use with SPOL4-100001)	NPRO4-0012

Product design and specifications are subject to change without notice, please check the Chalmit website for latest specifications.