

The unique characteristics of the Solas offers a versatile luminaire with 100% output in emergency mode. Built in marine grade aluminium this robust luminaire is suitable for the harshest of global environments.

Utilising ultra bright LED's the Solas produces a more focused light well suited to illuminating safety critical areas in an emergency situation. A manually operated remote inhibition facility is available on all emergency versions.

With a self contained battery, it can be used for backup emergency lighting in maintained or non-maintained modes.

Mounting Options

- Floodlight
- Pendant
- High Bay
- Emergency
- Pole/Column



Standard Specification

Solas Ex de LED floodlight

Type of Protection	Ex d e (Flameproof, Increased Safety)
ATEX Classification	Group II Category 2 GD
Area Classification	Zone 1 and Zone 2 areas to EN 60079-10 with installation to EN 60079-14
Certificate	EC Type Examination Certificate Baseefa11ATEX0090 IECEX Certification of Conformity IECEX BAS11.0047
Coding	Ex d e IIB T5 Gb Ex tb IIIC T100°C Db IP6X
Enclosure	Aluminium alloy LM6 Toughened glass window All fastenings 316 stainless steel
Entry	2x M20 cable entries - Non-emergency: looping for 4mm ² cable Emergency: single entry only for 4mm ² cable
Termination	4 core 4mm ² max.
Installation	Stirrup mounting bracket
Control Gear	Electronic Driver
Colour Temperature (CCT)	4100K (Neutral White)
Maintenance	M10 SKT HD Screws
Battery	Internal Ni-Cd (21.6V) (Emergency only)
Emergency Duration	90 minutes (100% output) Maintained as standard
Ingress Protection	IP66/67 to EN 60529
Surge Protection	4KV
Electrical Supply	220-254V 50/60Hz

Features

- ◆ Ex e terminal chamber
- ◆ No re-lamping required - **over 60,000 hours continuous operation**
- ◆ **Low ambient temperatures**
- ◆ **Non-maintained** or **Maintained modes**
- ◆ Comparable with **70W HPS floodlight**
- ◆ **Emergency inhibition**
- ◆ Highly **Energy Efficient**



Product design and specifications are subject to change without notice. Please check the Chalmit website for latest specifications.
www.chalmit.com



MADE IN BRITAIN

Std. Cat No.	Delivered Output	Power Consumption	TClass	T°C (Dust)	Ambient °C	Weight
SOLD/034/LE	4028 lm	62W	T5	100	-55 to +55	24.0kg
SOLD/034/LE/EM	4028 lm	73W	T5	100	-20 to +45	29.0kg
SOLD/034/LE/EM/NM	4028 lm	11W	T5	100	-20 to +55	29.0kg

Options - Suffix to Catalogue No.

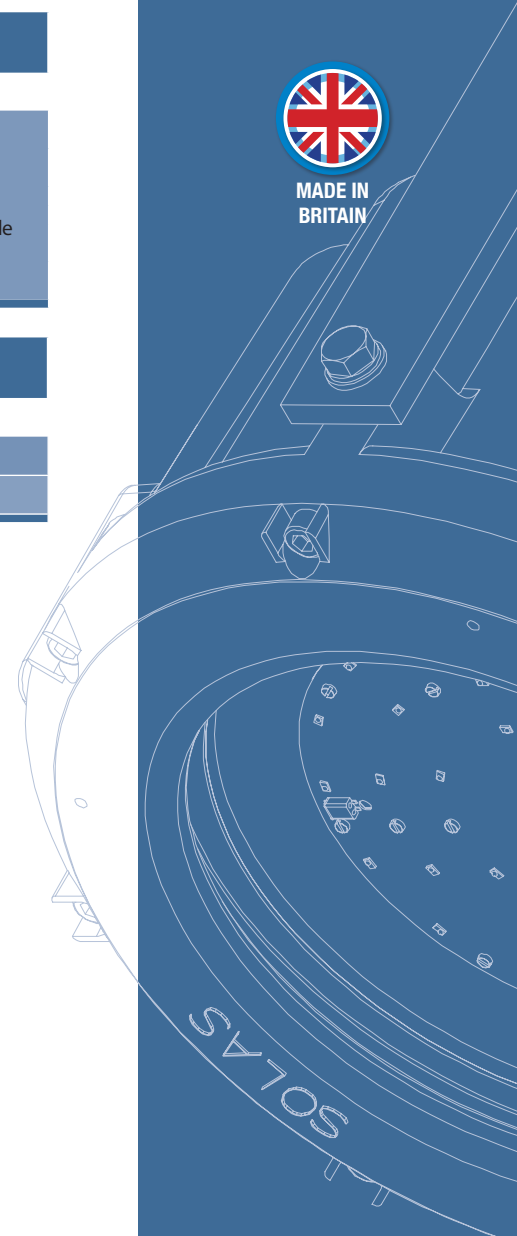
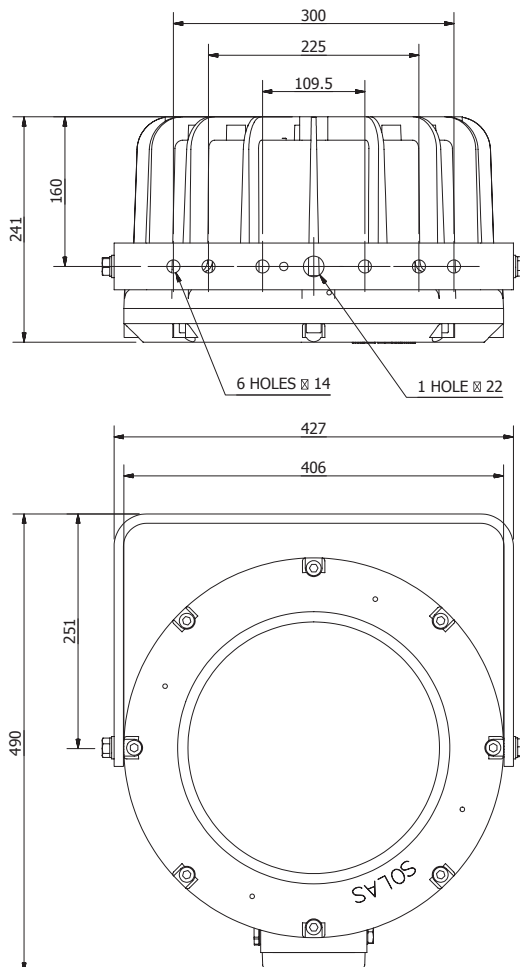
/M25	M25 Cable entries	/3H	3 hour battery duration (50% output)
/EP	Painted	/SC	Screwed connections • Non emergency version: looping for up to 6mm ² cable • Non maintained emergency: single entry only for up to 6mm ² cable • Maintained emergency version: screwed connections not available
/N	Narrow beam		
/NM	Non maintained (Emergency)		
/LT	Low temperature to -55°C (Emergency)		
/120	110-130V Supply		

Accessories

Accessories should be ordered separately

	Order Code
Wire Guard	S2610-0005
Pole Mounting Bracket	S2610-0001

Remote switches are available upon request, please contact Chalmit® sales.



LED SOLUTIONS

For Harsh & Hazardous Locations



Harsh & Hazardous