

# EVOLUTION JUNIOR Ex d e FLOODLIGHT

48



The Evolution Junior is a lightweight and portable version of the advanced Evolution floodlight. It features the same single bolt access and has a range of floor and tripod stands for a variety of temporary applications.

## Standard Specification

## Features

Type of Protection	Ex d e (Flameproof, Increased Safety)
ATEX Classification	Group II Category 2 G
Area Classification	Zone 1 and Zone 2 areas to EN 60079-10-1 with installation to EN 60079-14. Gas Groups IIA, IIB and IIC
Certificate	EC Type Examination Certificate BAS99ATEX2228
Coding	Ⓔ II 2 G Ex d e IIC Refer to table for T rating and Ambient
Enclosure	Aluminium alloy LM6 to BS 1490 (AC44100) All fastenings A4 stainless steel Toughened glass window
Reflector	Wide beam, high purity anodised aluminium
Entry	2 x M20 cable entries
Termination	3 core 6mm <sup>2</sup> max. conductor with looping
Installation	Stirrup mounting bracket
Windage	0.094m <sup>2</sup>
Control Gear	Internal copper/iron with PFC correction capacitor
Relamping	Access via hinged end cover on release of single screw
Burning Position	Universal for HID, +/-45° on horizontal axis for Tungsten-Halogen Lamps
Ingress Protection	IP66/67 to EN 60529
Electrical Supply	220, 230, 240, 254V 50Hz (HID) 24V(ac/dc)-250V (dependant on voltage)

Installation in gas groups IIA, IIB and IIC

Easy and quick access for maintenance

Simple, rapid lamp replacement and flamepath inspection

Exceptional photometric efficiency

Available with secondary protective glass for shot blasting applications

## International Approvals

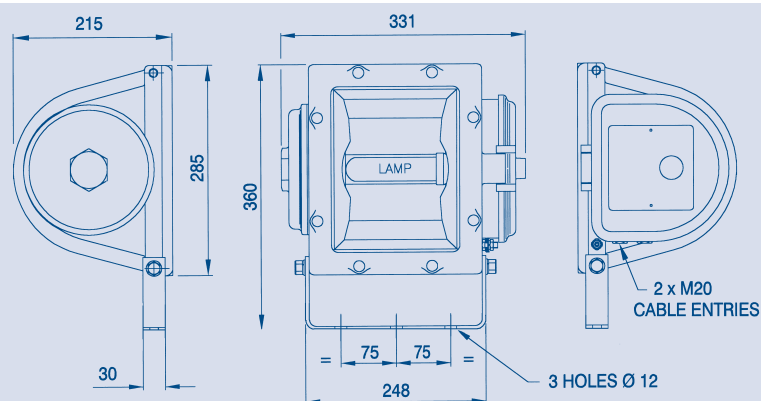
ATEX, GOST CEPEL and TIS

Std. Cat No.	Wattage	Lamp	Lampholder	T Class	Ambient °C	Weight
<b>EVJD/070/MS</b>	70W	HPS and Metal Halide	E27	T4	40	12kg
				T3	55	12kg
<b>EVJD/300/TL</b>	150W	Tungsten-Halogen	R7s	T3	55	10kg
	200W	Tungsten-Halogen	R7s	T3	40	10kg
	250W	Tungsten-Halogen	R7s	T3	20	10kg
				T2	50	10kg
	300W	Tungsten-Halogen	R7s	T2	40	10kg
<b>EVJD/150/TL/24</b>	150W 24V	Tungsten-Halogen	R7s	T3	55	10kg
<b>Secondary Glass Shield Cat Nos.</b>						
<b>EVJD/300/TL/GS</b>	150W	Tungsten-Halogen	R7s	T3	55	10kg
	200W	Tungsten-Halogen	R7s	T3	25	10kg
	200W	Tungsten-Halogen	R7s	T2	50	10kg
	250W	Tungsten-Halogen	R7s	T2	40	10kg
<b>EVJD/300/TL/24/GS</b>	150W 24V	Tungsten-Halogen	R7s	T3	55	10kg

**Note: Please specify voltage at time of enquiry/order**

### Options – Suffix to Catalogue No.

<b>/60</b>	60Hz	<b>/FS</b>	Suitable for use with floor stand (floor stand should be ordered separately)
<b>/M25</b>	M25 cable entries	<b>/CG</b>	Cable and Ex gland fitted (order cable separately - see accessories)
<b>/P</b>	PTFE coating	<b>/CGP</b>	Cable, Ex gland and 110V plug (cable should be ordered separately)
<b>/Y</b>	Yellow painted version (110V only)	<b>/GS</b>	Secondary glass (factory fitted)
<b>/LT</b>	Low temperature version -50°C (IIA & IIB only)		



Accessories Should be ordered separately

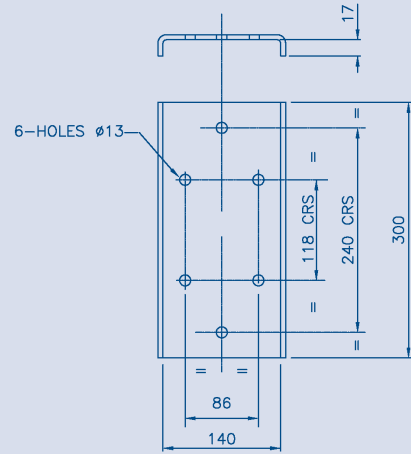
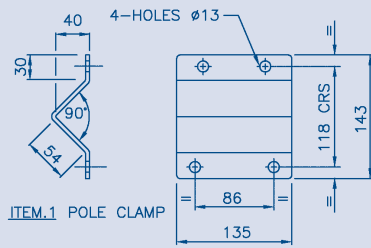
Catalogue Order Code

Pole mounting bracket assembly (48-70mm diameter poles)	<b>SEVJ4-0003</b>
Anti-glare shield	<b>SEVJ4-0001</b>
Wire guard	<b>SEVJ4-0002</b>
Floor stand assembly (to be ordered with floor stand version of floodlight)	<b>SEVJR-0001</b>
Tripod stand assembly	<b>SEVJR-0002</b>
Ratchet handles (2 off) for adjustable aiming	<b>SEVJR-0005</b>
Cable (ordered per metre)	<b>E0414-0009</b>

Product design and specifications are subject to change without notice, please check the Chalmit website for latest specifications.

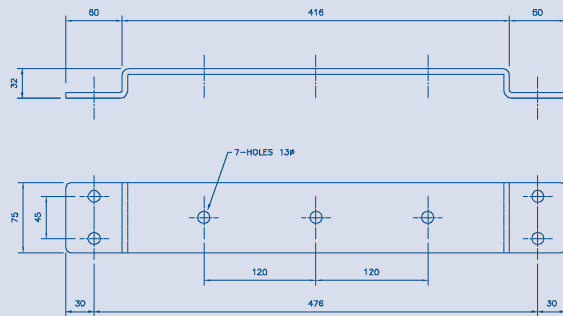
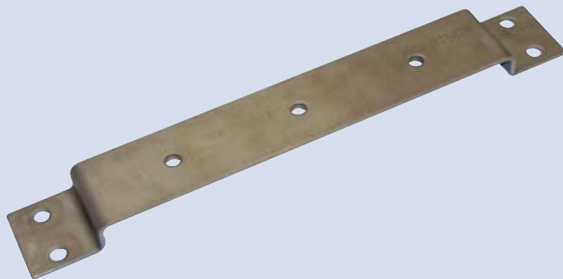
## Pole Mounting Bracket Assembly

Cat No. SEV04-0001



## 284 Retrofit Bracket

Cat No. SEV01-0001



## Evolution Junior Mounting Accessories

Cat No. SEVJR-0001/SEVJR-0002



Floor assembly SEVJR-0001



Tripod assembly SEVJR-0002