



The innovative new **238 LED** is an efficient low energy wellglass designed for general purpose low and medium bay illumination. With an instant on output and 80,000 maintenance free hours (L70), it offers significant benefits over the conventional product. The luminaire has a side mounted increased safety terminal chamber eliminating the need for flameproof glands.

The wide ambient temperature range makes the 238 LED suitable for extreme environmental conditions.

## Mounting Options

- Floodlight
- Pendant
- High Bay
- Pole/Column

International Approvals



## Standard Specification

238 Ex d e LED Wellglass

Type of Protection	Ex d e (Flameproof, Increased Safety) Ex tb (Dust Protected Enclosure)
ATEX Classification	Group II Category 2 GD
Area Classification	Zone 1 and Zone 21 areas to EN 60079-10-1 and EN 60079-10-2 with installation to EN 60079-14 Gas Groups IIA and IIB
Certificate	EC Type Examination Certificate Baseefa16ATEX0086X IECEX Certificate of Conformity IECEX BAS16.0019X
Coding	Ex db eb op is IIB T5 Gb Ex op is tb IIIC T100°C Db IP6X
Enclosure	Aluminium Alloy LM6 to BS 1490 (AC44100) All fastenings A4 stainless steel Toughened glass dome globe
Entry	2 x M20 cable entries
Termination	3 core 6mm <sup>2</sup> max. conductor with looping
Installation	Flush mounting bracket
Control Gear	Electronic Driver
Colour Temperature (CCT)	5000K
Maintenance	M10 SKT HD Screws
Ingress Protection	IP66 to EN 60529
Surge Protection	6kV
Electrical Supply	120-277V AC 50/60Hz

## Features

- ◆ Installation to **gas groups IIA and IIB**
- ◆ Highly **Energy Efficient**
- ◆ **Instant on** - crisp white light output
- ◆ **80,000** maintenance free hours
- ◆ **Low temperature applications to -50°C**
- ◆ **Ex e** terminal chamber



**LED SOLUTIONS**  
For Harsh & Hazardous Locations



Product design and specifications are subject to change without notice. Please check the Chalmit website for latest specifications.  
www.chalmit.com



MADE IN BRITAIN

Std. Cat No.	Delivered Output	Power Consumption	TClass	T°C (Dust)	Ambient °C	Weight
<b>238D/09L/LE</b>	9180 lm	70W	T5	100	-50 to +55	15.0kg

Options - Suffix to Catalogue No.

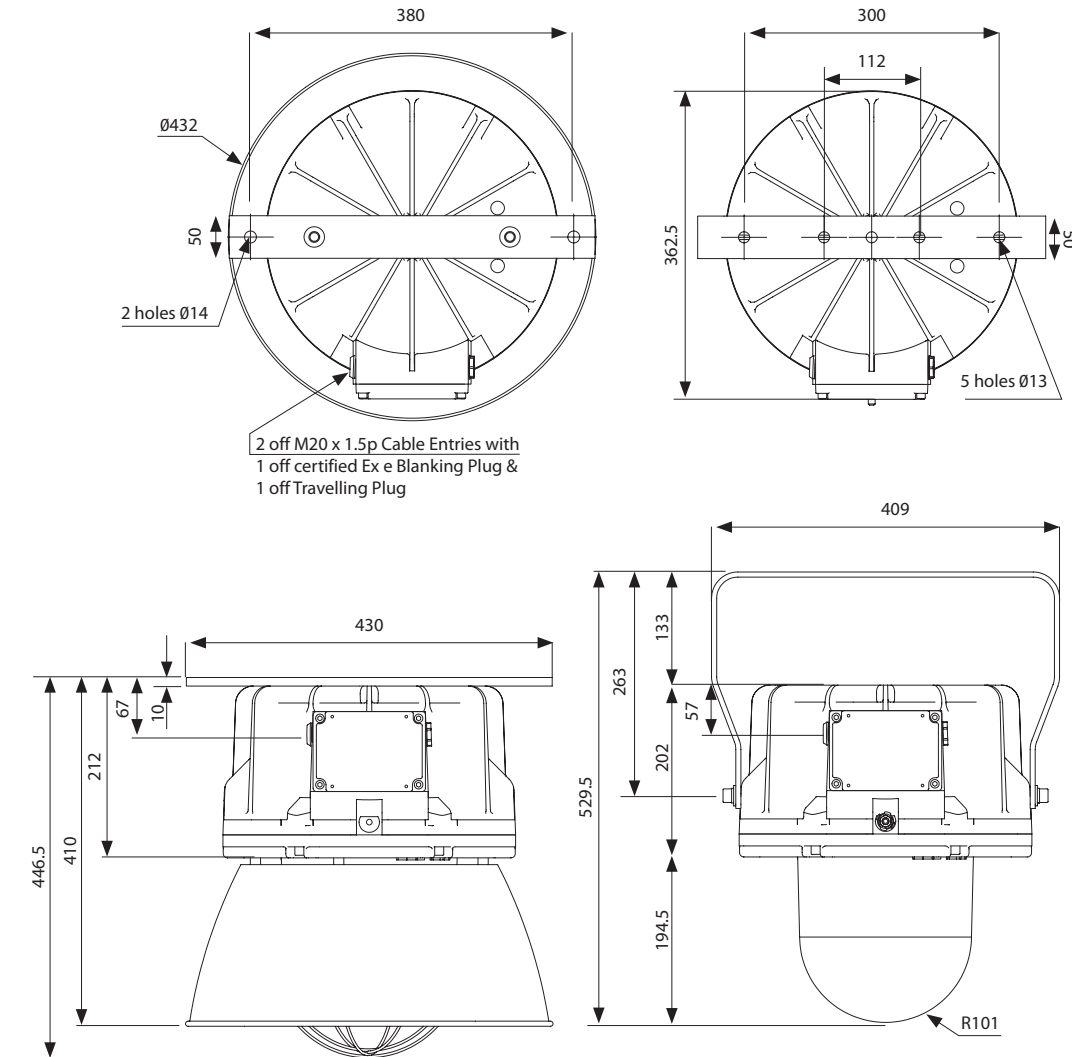
<b>/M25</b>	M25 Cable entries	<b>/S</b>	Stirrup mounting bracket
<b>/P</b>	PTFE coating	<b>/SRG</b>	Surge Protection (10kV and 20kA)*

\*When using additional surge protection, please note that the maximum ambient reduces to +50°C

### Accessories Accessories should be ordered separately

Order Code

<b>Pole Mounting Bracket Assembly - stirrup mounting version only (42-64mm diameter poles)</b>	<b>S2400-0002</b>
<b>Wire Guard</b>	<b>S2381-0012</b>
<b>External reflector</b>	<b>S2380-0001</b>



**LED SOLUTIONS**  
For Harsh & Hazardous Locations



Harsh & Hazardous