

Cable Glands

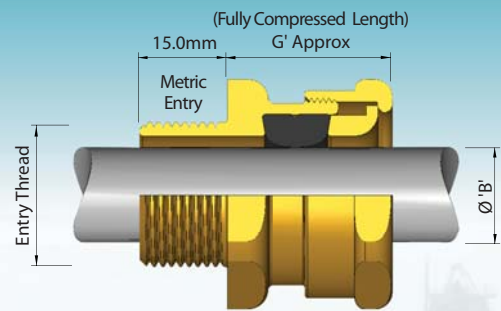
Hazardous Area

Increased Safety Exe
Dual Certified ATEX / IECEx

321

Application

The 321 cable gland provides a seal on the outer cable sheath and is intended for use on non-armoured elastomer and plastic insulated cables. The cable gland certified Exe and is suitable for installation in Zone 1 (21) and Zone 2 (22) hazardous areas.



CABLE GLAND SELECTION TABLE

Size Ref.	Entry Thread Size		Cable Acceptance Details				'G'	Hexagon Dimensions	
	Metric	NPT * Standard or Option	Outer Sheath 'B'					Across Flats	Across Corners
			Standard Seal		Alternative Seal (S)				
			Min.	Max.	Min.	Max.			
2K	M16	-	3.0	8.0	-	-	23.5	19.0	21.2
Os	M20 ²	½"	3.0	8.0	-	-	23.8	24.0	26.5
O	M20 ²	½"	7.5	11.9	-	-	23.8	24.0	26.5
A	M20	¾" or ½"	11.0	14.3	8.5	13.5	24.8	30.0	32.5
B	M25	1" or ¾"	13.0	20.2	9.5	15.4	25.8	36.0	39.5
C	M32	1¼" or 1"	19.0	26.5	15.5	21.2	28.2	46.0	50.5
C2	M40	1½" or 1¼"	25.0	32.5	22.0	28.0	29.5	55.0	60.6
D	M50	2" or 1½"	31.5	44.4 / 42.3 ¹	27.5	34.8	40.4	65.0	70.8
E	M63	2½" or 2"	42.5	56.3 / 54.3 ¹	39.0	46.5	38.2	80.0	88.0
F	M75	3" or 2½"	54.5	68.2 / 65.3 ¹	48.5	58.3	40.5	95.0	104.0
G	M80	3½"	67.0	73.0	-	-	41.0	106.4	115.0
H	M90	3½"	67.0	77.6	-	-	41.0	115.0	130.0
J	M100	4"	75.0	91.6	-	-	41.0	127.0	142.0

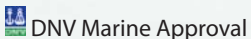
All dimensions in millimetres (except * where dimensions are in inches). 2K - F size metric entry threads are 1.5mm pitch as standard, 15mm length of thread. For G size glands and above, a 2mm pitch is supplied as standard, 20mm length of thread (1.5mm pitch with 15mm length of thread can be supplied) please specify when ordering.

¹ Smaller value is applicable when selecting reduced NPT entry option.

² Sizes Os and O are available with an M16 thread size. For O size with M16 thread, the maximum cable outer sheath diameter is 10.9mm

Technical Data

- Increased Safety Exe (Ex) II 2 GD ExtD A21.
- Certificate No's: Baseefa06ATEX0059X and IECEx BAS 06.0016X.
- Suitable for use in Zone 1, Zone 2, Zone 21, Zone 22 and in Gas Groups IIA, IIB and IIC.
- Construction and Test Standards: IEC/EN 60079-0, IEC/EN 60079-7, IEC/EN 61241-0 and IEC/EN 61241-1.
- Ingress Protection: IP66, IP67 and IP 68 (30 metres for 7 days) to IEC/EN 60529 and NEMA 4X.
- Deluge Protection to DTS01.
- Operating Temperature Range: -60°C to +100°C.
- Assembly Instruction Sheet: AI 307.
- Alternative certification options available:



Features

- When used in Increased Safety applications, this cable gland may be used with braided cable where the braid and the outer sheath pass into the enclosure. The braid must then be suitably terminated inside the enclosure.
Note: Braided cable is classed as unarmoured cable in the EN/IEC 60079 series standards for Exe applications.
- Manufactured in Brass (standard), Nickel Plated Brass, 316 Stainless Steel or Aluminium.
- Brass NPT entries are nickel plated as standard.

Ordering Information

Only available from Hawke Distributor Stahl-Syberg, Norway

Format for ordering is as follows: Alternative Seal (S), add suffix S to ordering information.

Cable Gland Type	Size	Thread	(Optional)	Cable Gland Type	Size	Thread	(Optional)
321	C	M32	S	321	C	1 ¼"NPT	S